

---

*Comfort-Aire*®

 **Century**®

**MARS**®  
Delivering Confidence

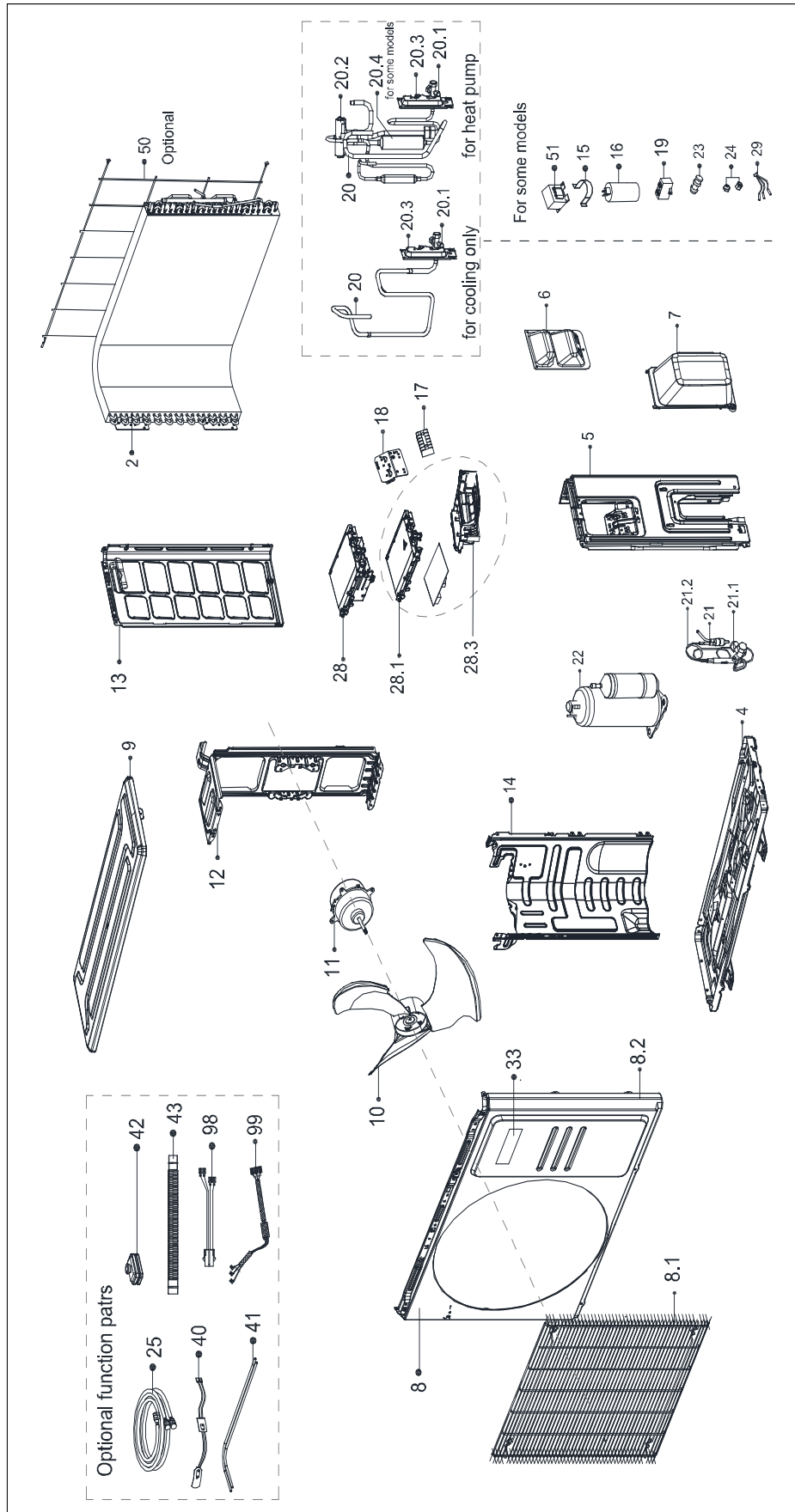
---

REPLACEMENT PARTS LIST

**Single Zone Ductless Mini-Split  
with Inverter Technology**

A-SSP09SA-1

# EXPLODED VIEW



## REPLACEMENT PARTS

Location	Part Name	Quantity	Part No.
2	Condenser assembly	1.0	15822000009658
4	Chassis assembly	1.0	12222000013427
5	Right side plate	1.0	12222000012141
6	Handle	1.0	12222000010966
7	Water collector	1.0	12122000007150
8	Front panel assembly	1.0	12222000A06310
8.1	Air outlet grille	1.0	12222000015025
8.2	Front panel	1.0	12222000A06311
9	Top cover	1.0	12222000014305
10	Axial flow fan	1.0	12100105000821
11	Motor	1.0	11002015016402
12	Motor bracket	1.0	12222000012390
13	Left supporter	1.0	12222000012135
14	Partition board	1.0	12222000013428
17	Terminal block	1.0	17400401006456
18	Supporter board	1.0	12222000019881
20	4-ways valve or Gas valve assembly	1.0	15422000025752
20.1	Gas valve	1.0	15500204000665
20.2	4-way valve	1.0	15500216002583
20.3	Valve plate	1.0	1222200005738
20.4	Muffler assembly	1.0	15122000030139
21	High pressure valve assembly	1.0	15422000024086
21.1	High pressure valve	1.0	15500208000028
21.2	Capillary	1.0	15122000011294
22	Compressor	1.0	11103020005082
24	Copper nut	1.0	15500406000016
24	Copper nut	1.0	15500406000010
28	Electronic control box assembly	1.0	17222000043606
28.1	Electrical installation plate	1.0	12122000030601
28.3	Electronic installing box assembly	1.0	12122000030602
29	Combination sensor	1.0	11201007007503
33	Outdoor unit trademark	1.0	16000201001228
40	Crankcase electric heater	1.0	17402001000600
41	Electric heater of chassis	1.0	17402002000464
50	Rear Grille	1.0	12222000012385
99	Compressor connection cable	1.0	17401203012697

---

Due to ongoing product improvements, specifications and dimensions are subject to change and correction without notice or incurring obligations. Determining the application and suitability for use of any product is the responsibility of the installer. Additionally, the installer is responsible for verifying dimensional data on the actual product prior to beginning any installation preparations.

Incentive and rebate programs have precise requirements as to product performance and certification. All products meet applicable regulations in effect on date of manufacture; however, certifications are not necessarily granted for the life of a product. Therefore, it is the responsibility of the applicant to determine whether a specific model qualifies for these incentive/rebate programs.



1900 Wellworth Ave., Jackson, MI 49203 • Ph. 517-787-2100 • [www.marsdelivers.com](http://www.marsdelivers.com)

