

---

*Comfort-Aire*®

 **Century**®

**MARS**®  
Delivering Confidence

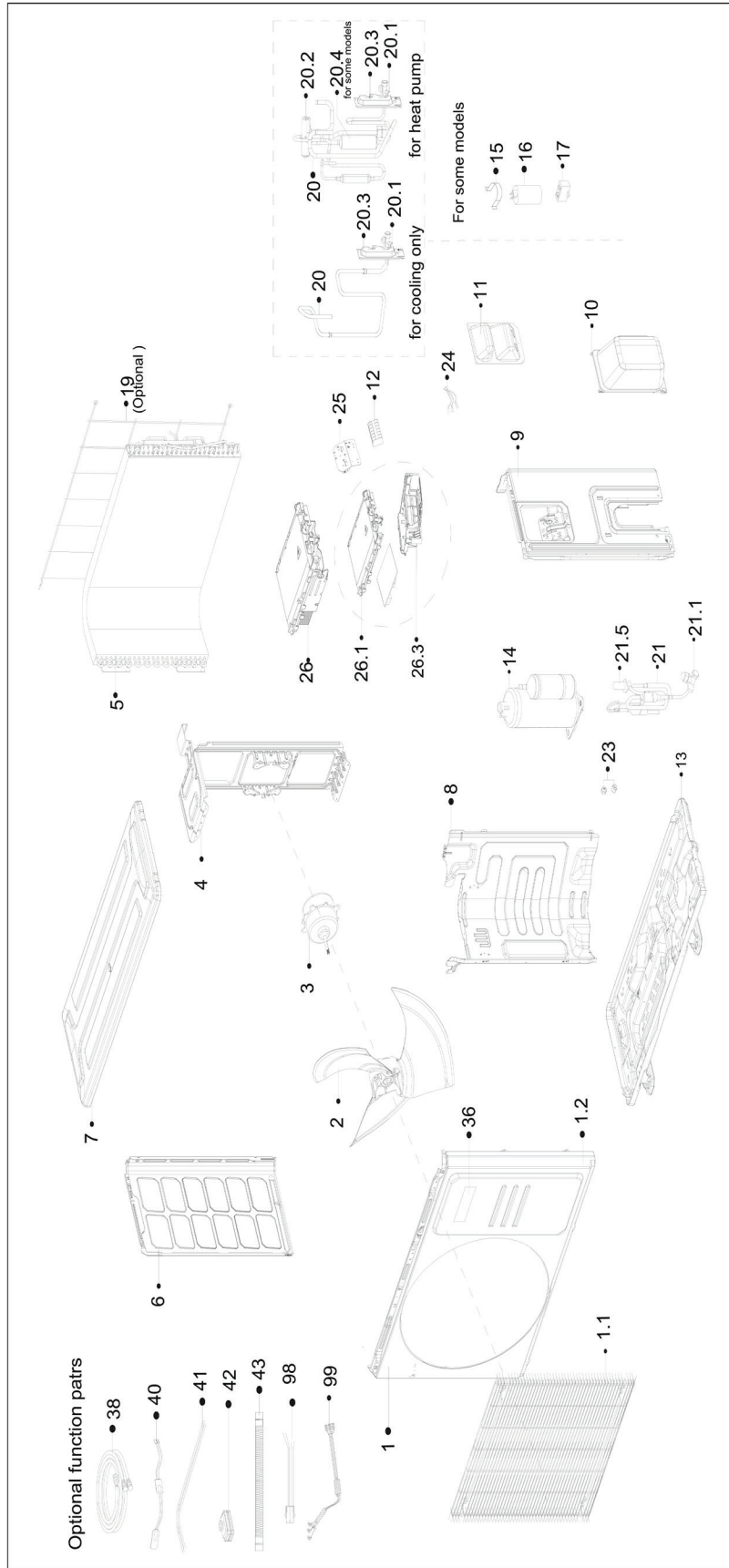
---

REPLACEMENT PARTS LIST

**Inverter Single Zone Outdoor  
Ductless Mini Split**

A-VHP09SA-1

# EXPLODED VIEW



## REPLACEMENT PARTS

Location	Part Name	Quantity	Part No.
1	Front panel assembly	1.0	12222000A06298
1.1	Air outlet grille	1.0	12222000A06091
1.2	Front panel	1.0	12222000A06299
2	Axial flow fan	1.0	12100105000881
3	Motor	1.0	11002015020053
4	Motor bracket	1.0	12222000013200
5	Condenser assembly	1.0	15822000013786
6	Left supporter	1.0	12222000013197
7	Top cover	1.0	12222000013193
8	Partition board	1.0	12222000014125
9	Right side plate	1.0	12222000013190
10	Water collector	1.0	12122000007150
11	Handle	1.0	12222000010966
12	Terminal block	1.0	17400401006456
13	Chassis assembly	1.0	12222000014127
14	Compressor	1.0	11103020003399
19	Rear Grille	1.0	12222000013667
20	4-ways valve or Gas valve assembly	1.0	15422000025396
20.1	Gas valve	1.0	15500204000665
20.2	4-way valve	1.0	15500216002383
20.3	Valve plate	1.0	12222200005738
21	High pressure valve assembly	1.0	15422000023095
21.1	High pressure valve	1.0	15500208000028
21.5	Electronic expansion valve	1.0	15500213002089
23	Copper nut	1.0	15500406000016
23	Copper nut	1.0	15500406000010
24	Combination sensor	1.0	11201007007503
25	Terminal board	1.0	12222000019881
26	Electronic control box subassembly	1.0	17222000042838
26.1	Electrical installation plate	1.0	12122000030601
26.3	Electronic installing box	1.0	12122000030602
36	Outdoor unit trademark	1.0	16000201001228
40	Crankcase electric heater	1.0	17402001000603
41	Electric heater of chassis	1.0	17402002000464
99	Compressor connection cable	1.0	17401203012697

---

Due to ongoing product improvements, specifications and dimensions are subject to change and correction without notice or incurring obligations. Determining the application and suitability for use of any product is the responsibility of the installer. Additionally, the installer is responsible for verifying dimensional data on the actual product prior to beginning any installation preparations.

Incentive and rebate programs have precise requirements as to product performance and certification. All products meet applicable regulations in effect on date of manufacture; however, certifications are not necessarily granted for the life of a product. Therefore, it is the responsibility of the applicant to determine whether a specific model qualifies for these incentive/rebate programs.



1900 Wellworth Ave., Jackson, MI 49203 • Ph. 517-787-2100 • [www.marsdelivers.com](http://www.marsdelivers.com)

