

TARG-P

SPECIFICATIONS

Refrigerant System

- Environmentally friendly R410A refrigerant
- Copper tubing with enhanced fin coils
- Internal service gauge ports

Cabinet Construction

- Rounded corners for safety and an attractive, clean appearance
- One piece base design for strength and stability
- Drain ports for condensate management and coil runoff
- Low profile, with compact footprint
- Insulation to minimize heat loss plus reduce sound
- Textured pre-painted steel cabinet finish
- Superior service access to components
- One piece “no leak” top design

Blower

- Insulated compartment to reduce sound
- Efficient constant torque motor for wide airflow range
- Slide out blower housing for easy service

Installation

- Horizontal or down discharge capable
- Utility connections on “right side”
- Tabbed duct flanges for simple duct connections

Accessories

- Roofcurbs
- Lifting brackets
- Internal filter kits
- Electric strip heat with optional single power point entry

Comfort-Aire®

ELECTRIC/ELECTRIC PACKAGED UNIT

14 SEER



Warranty

Standard warranty or Extended warranty available with product registration.
See warranty document for details or visit www.marsdelivers.com

MODEL NUMBER GUIDE

| | | | | | | | |
|--------------|-----------------------|-------------|-----------------------|--|---|-----------------------|---------------------|
| T | A | R | G | 24 | 00 | 1 | P |
| Package Unit | Electric/ Electric | Residential | 'Green' Gas R-410A | Nominal Cooling Capacity BTUH x 1000 | Heating BTUH No factory installed electric heat | Power 208/230-1-60 | Series/ Revision |

ELECTRICAL AND PHYSICAL DATA

| Model | Voltage | Phase | Hz | Min Volts @ 60 hz | MCA | Max Fuse/ HACR Breaker | Compressor | | Condenser Motor | | Blower Motor | | Refrig. Charge (oz.) | Weight (lbs.) |
|------------|---------|-------|----|----------------------|------|---------------------------------|------------|-------|--------------------|-----|--------------|-----|----------------------------|------------------|
| | | | | | | | RLA | LRA | RLA | HP | RLA | HP | | |
| TARG24001P | 208-230 | 1 | 60 | 197 | 14.4 | 20 | 8.6 | 43.5 | 1.0 | 1/6 | 2.8 | 1/3 | 72 | 290 |
| TARG30001P | | | | | 18.2 | 25 | 10.6 | 47 | | | 4.1 | 1/2 | 80 | 301 |
| TARG36001P | | | | | 22.7 | 35 | 15.7 | 72.2 | | | 4.1 | 1/2 | 87 | 314 |
| TARG42001P | | | | | 27.5 | 40 | 15.9 | 112.3 | 1.7 | 1/4 | 6 | 3/4 | 108 | 383 |
| TARG48001P | | | | | 28.7 | 45 | 16.9 | 94 | | | 6 | 3/4 | 115 | 389 |
| TARG60001P | | | | | 38.9 | 60 | 26.4 | 152.5 | | | 7.6 | 1 | 125 | 423 |

PERFORMANCE

| Model | Cooling | | | | | Sound dBA |
|------------|--------------------------------|------|------|------------------------------------|------|--------------|
| | Rated AHRI Capacity Btuh | SEER | EER | Rated Sensible Capacity Btuh | CFM | |
| TARG24001P | 22,600 | 14.0 | 11.0 | 17,400 | 800 | 77 |
| TARG30001P | 28,400 | | | 21,900 | 1000 | 79 |
| TARG36001P | 34,000 | | | 26,100 | 1200 | 78 |
| TARG42001P | 40,000 | | | 30,800 | 1400 | |
| TARG48001P | 45,500 | | | 35,000 | 1600 | 77 |
| TARG60001P | 57,000 | | | 41,600 | 1800 | 78 |

*Certified in accordance with Unitary Air Conditioner Certification Program, which is based on AHRI Standard 210/240

BLOWER PERFORMANCE

| MODEL | BLOWER TAP | CFM @ ext. Static Pressure in in. wc without filter, dry coil | | | | | | | | | |
|------------|------------|---|------|------|------|------|------|------|------|------|------|
| | | 0.1 | 0.2 | 0.3 | 0.4 | 0.5 | 0.6 | 0.7 | 0.8 | 0.9 | 1.0 |
| TARG24001P | TAP 1 | 610 | 560 | 525 | 485 | 430 | 0 | 0 | 0 | 0 | 0 |
| | TAP 2 | 820 | 795 | 760 | 720 | 690 | 650 | 615 | 575 | 540 | 470 |
| | TAP 3 | 950 | 920 | 880 | 850 | 820 | 800 | 760 | 720 | 680 | 625 |
| TARG30001P | TAP 1 | 850 | 820 | 780 | 745 | 710 | 680 | 630 | 590 | 550 | 515 |
| | TAP 2 | 1040 | 1000 | 970 | 935 | 900 | 875 | 845 | 815 | 770 | 735 |
| | TAP 3 | 1175 | 1145 | 1115 | 1080 | 1050 | 1015 | 990 | 945 | 900 | 860 |
| TARG36001P | TAP 1 | 850 | 800 | 750 | 700 | 645 | 600 | 550 | 480 | 435 | 0 |
| | TAP 2 | 1245 | 1210 | 1175 | 1140 | 1100 | 1065 | 1025 | 975 | 920 | 845 |
| | TAP 3 | 1400 | 1370 | 1335 | 1300 | 1265 | 1220 | 1180 | 1150 | 1060 | 875 |
| TARG42001P | TAP 1 | 800 | 720 | 640 | 550 | 475 | 390 | 310 | 0 | 0 | 0 |
| | TAP 2 | 1470 | 1410 | 1360 | 1300 | 1260 | 1210 | 1155 | 1095 | 1000 | 940 |
| | TAP 3 | 1700 | 1650 | 1610 | 1575 | 1540 | 1480 | 1430 | 1390 | 1340 | 1210 |
| TARG48001P | TAP 1 | 1145 | 1075 | 1000 | 930 | 850 | 790 | 740 | 670 | 570 | 490 |
| | TAP 2 | 1675 | 1630 | 1600 | 1540 | 1490 | 1440 | 1390 | 1300 | 1230 | 1125 |
| | TAP 3 | 1800 | 1770 | 1715 | 1690 | 1640 | 1610 | 1565 | 1500 | 1460 | 1380 |
| TARG60001P | TAP 1 | 1400 | 1320 | 1260 | 1200 | 1120 | 1060 | 980 | 900 | N/A | N/A |
| | TAP 2 | 1920 | 1870 | 1820 | 1770 | 1720 | 1670 | 1450 | 1360 | N/A | N/A |
| | TAP 3 | 2235 | 2195 | 2165 | 2130 | 2090 | 2060 | 2025 | 1985 | 1960 | 1940 |

COOLING PERFORMANCE - EXTENDED RATINGS

| Outdoor Model | Indoor Temp DB/ WB °F | Outdoor Temperature - DB °F | | | | | | | | | | | | | | |
|---------------|-----------------------|-----------------------------|------|------|-----------|------|------|-----------|------|------|------------|------|------|------------|------|------|
| | | 65° | | | 82° / 67° | | | 95° / 75° | | | 105° / 85° | | | 115° / 95° | | |
| | | Btuh | S/T | kW | Btuh | S/T | kW | Btuh | S/T | kW | Btuh | S/T | kW | Btuh | S/T | kW |
| TARG24001P | 85 / 72 | 30,600 | 0.65 | 1.33 | 27,700 | 0.68 | 1.65 | 24,700 | 0.70 | 1.88 | 23,100 | 0.72 | 2.06 | 22,500 | 0.75 | 2.26 |
| | 80 / 67 | 27,900 | 0.71 | 1.35 | 25,500 | 0.74 | 1.65 | 22,600 | 0.77 | 1.88 | 21,200 | 0.79 | 2.06 | 20,700 | 0.82 | 2.25 |
| | 75 / 63 | 26,000 | 0.74 | 1.36 | 23,800 | 0.77 | 1.65 | 21,000 | 0.79 | 1.87 | 20,700 | 0.82 | 2.05 | 19,300 | 0.84 | 2.23 |
| | 75 / 57 | 23,800 | 1 | 1.39 | 22,100 | 1 | 1.64 | 20,700 | 1 | 1.87 | 19,600 | 1 | 2.04 | 18,500 | 1.00 | 2.22 |
| TARG30001P | 85 / 72 | 38,200 | 0.68 | 1.83 | 34,700 | 0.71 | 2.16 | 32,000 | 0.74 | 2.42 | 30,500 | 0.74 | 2.6 | 29,000 | 0.78 | 2.86 |
| | 80 / 67 | 35,200 | 0.75 | 1.76 | 32,300 | 0.78 | 2.11 | 28,400 | 0.75 | 2.34 | 28,100 | 0.84 | 2.57 | 25,100 | 0.8 | 2.74 |
| | 75 / 63 | 33,000 | 0.77 | 1.71 | 30,400 | 0.8 | 2.06 | 27,700 | 0.8 | 2.31 | 25,900 | 0.82 | 2.51 | 24,100 | 0.84 | 2.72 |
| | 75 / 57 | 29,900 | 1 | 1.66 | 28,300 | 1 | 2.01 | 26,600 | 1 | 2.29 | 25,200 | 1 | 2.49 | 23,700 | 1 | 2.7 |
| TARG36001P | 85 / 72 | 45,800 | 0.68 | 2.09 | 41,700 | 0.72 | 2.49 | 37,600 | 0.73 | 2.82 | 35,400 | 0.74 | 3.1 | 32,400 | 0.75 | 3.39 |
| | 80 / 67 | 40,800 | 0.75 | 2.1 | 38,500 | 0.75 | 2.51 | 34,400 | 0.79 | 2.81 | 33,200 | 0.84 | 3.09 | 30,500 | 0.85 | 3.38 |
| | 75 / 63 | 38,100 | 0.76 | 2.11 | 36,000 | 0.77 | 2.51 | 32,300 | 0.81 | 2.80 | 30,500 | 0.84 | 3.08 | 28,400 | 0.87 | 3.37 |
| | 75 / 57 | 35,200 | 1 | 2.14 | 33,600 | 1 | 2.5 | 30,700 | 1 | 2.80 | 29,200 | 1 | 3.07 | 27,400 | 1 | 3.36 |
| TARG42001P | 85 / 72 | 54,500 | 0.67 | 2.51 | 48,900 | 0.71 | 2.9 | 45,700 | 0.73 | 3.28 | 44,200 | 0.74 | 3.64 | 42,800 | 0.75 | 4.08 |
| | 80 / 67 | 50,100 | 0.74 | 2.52 | 45,100 | 0.78 | 2.91 | 40,000 | 0.77 | 3.28 | 38,400 | 0.79 | 3.64 | 35,700 | 0.8 | 4.05 |
| | 75 / 63 | 46,800 | 0.76 | 2.52 | 42,700 | 0.8 | 2.91 | 38,800 | 0.81 | 3.29 | 36,300 | 0.82 | 3.65 | 33,500 | 0.83 | 4.06 |
| | 75 / 57 | 42,500 | 1 | 2.53 | 39,700 | 1 | 2.93 | 37,100 | 1 | 3.3 | 35,100 | 1 | 3.66 | 33,100 | 1 | 4.07 |
| TARG48001P | 85 / 72 | 59,400 | 0.69 | 2.78 | 53,900 | 0.72 | 3.29 | 49,700 | 0.72 | 3.6 | 47,100 | 0.75 | 4.09 | 43,600 | 0.75 | 4.48 |
| | 80 / 67 | 54,600 | 0.75 | 2.8 | 49,900 | 0.77 | 3.3 | 46,000 | 0.80 | 3.71 | 42,900 | 0.8 | 4.07 | 40,000 | 0.81 | 4.47 |
| | 75 / 63 | 50,700 | 0.76 | 2.82 | 46,700 | 0.79 | 3.3 | 43,300 | 0.82 | 3.7 | 40,400 | 0.82 | 4.06 | 38,100 | 0.86 | 4.47 |
| | 75 / 57 | 47,200 | 1 | 2.83 | 43,800 | 1 | 3.29 | 41,000 | 1 | 3.7 | 39,000 | 1 | 4.06 | 36,900 | 1 | 4.47 |
| TARG60001P | 85 / 72 | 70,300 | 0.63 | 3.5 | 66,100 | 0.64 | 4.19 | 62,800 | 0.65 | 4.72 | 59,200 | 0.7 | 5.27 | 55,500 | 0.76 | 5.82 |
| | 80 / 67 | 65,700 | 0.69 | 3.47 | 61,000 | 0.71 | 4.08 | 57,400 | 0.73 | 4.69 | 54,300 | 0.78 | 5.24 | 51,200 | 0.83 | 5.78 |
| | 75 / 63 | 61,400 | 0.72 | 3.45 | 56,300 | 0.74 | 4.12 | 52,300 | 0.76 | 4.63 | 50,200 | 0.8 | 5.19 | 48,000 | 0.85 | 5.75 |
| | 75 / 57 | 54,500 | 1 | 3.42 | 50,100 | 1 | 4.09 | 50,100 | 1 | 4.09 | 46,700 | 1 | 5.17 | 45,900 | 1 | 5.73 |

HEAT STRIP ELECTRICAL

| Model Number | Heater Model | Unit Supply Voltage Single Phase | Heater kW | Min. Circuit Ampacity 1 | Max. Fuse / HACR Brkr. 1 | Min. Circuit Ampacity 2 | Max. Fuse / HACR Brkr. 2 | Min. Circuit Ampacity Single Point | Max. Fuse / HACR Brkr. Single Point |
|--------------|--------------|----------------------------------|-----------|-------------------------|--------------------------|-------------------------|--------------------------|------------------------------------|-------------------------------------|
| TARG24001P | PHK05BP-1 | 240 | 5 | 29.5 | 30 | - | - | 43.4 | 45 |
| | | 208 | 3.8 | 26.1 | 25 | - | - | 40 | 45 |
| | PHK07BP-1 | 240 | 7.5 | 42.6 | 45 | - | - | 56.5 | 60 |
| | | 208 | 5.6 | 37.4 | 40 | - | - | 51.3 | 60 |
| | PHK10BP-1 | 240 | 10 | 55.6 | 55 | - | - | 69.5 | 70 |
| | | 208 | 7.5 | 48.6 | 50 | - | - | 62.5 | 70 |
| TARG30001P | PHK05BP-1 | 240 | 5 | 31.2 | 35 | - | - | 47.9 | 50 |
| | | 208 | 3.8 | 27.7 | 25 | - | - | 44.5 | 50 |
| | PHK07BP-1 | 240 | 7.5 | 44.2 | 45 | - | - | 61 | 70 |
| | | 208 | 5.6 | 39 | 40 | - | - | 55.8 | 60 |
| | PHK10BP-1 | 240 | 10 | 57.2 | 55 | - | - | 74 | 80 |
| | | 208 | 7.5 | 50.3 | 55 | - | - | 67 | 70 |
| | PHK15CP-1 | 240 | 15 | 57.2 | 55 | 26 | 30 | 100 | 110 |
| | | 208 | 11.3 | 50.3 | 55 | 22.6 | 25 | 89.6 | 90 |
| TARG36001P | PHK05BP-1 | 240 | 5 | 31.2 | 30 | - | - | 49.5 | 50 |
| | | 208 | 3.8 | 27.7 | 25 | - | - | 46 | 50 |
| | PHK07BP-1 | 240 | 7.5 | 44.2 | 45 | - | - | 62.5 | 70 |
| | | 208 | 5.6 | 39 | 40 | - | - | 57.3 | 60 |
| | PHK10BP-1 | 240 | 10 | 57.2 | 55 | - | - | 75.5 | 80 |
| | | 208 | 7.5 | 50.3 | 55 | - | - | 68.6 | 70 |
| | PHK15CP-1 | 240 | 15 | 57.2 | 55 | 26 | 30 | 101.5 | 110 |
| | | 208 | 11.3 | 50.3 | 50 | 22.6 | 25 | 91.1 | 100 |
| TARG42001P | PHK05BP-1 | 240 | 5 | 33.5 | 35 | - | - | 53.8 | 60 |
| | | 208 | 3.8 | 30.1 | 35 | - | - | 50.3 | 60 |
| | PHK07BP-1 | 240 | 7.5 | 46.6 | 50 | - | - | 66.8 | 70 |
| | | 208 | 5.6 | 41.4 | 45 | - | - | 61.6 | 70 |
| | PHK10BP-1 | 240 | 10 | 59.6 | 55 | - | - | 79.9 | 80 |
| | | 208 | 7.5 | 52.6 | 55 | - | - | 72.9 | 80 |
| | PHK15CP-1 | 240 | 15 | 59.6 | 55 | 26 | 30 | 105.9 | 110 |
| | | 208 | 11.3 | 52.6 | 55 | 22.6 | 25 | 95.5 | 100 |
| PHK20CP-1 | 240 | 20 | 59.6 | 55 | 52.1 | 60 | 131.9 | 150 | |
| | 208 | 15 | 52.6 | 60 | 45.1 | 50 | 118 | 125 | |
| TARG48001P | PHK05BP-1 | 240 | 5 | 33.5 | 35 | - | - | 54.8 | 60 |
| | | 208 | 3.8 | 30.1 | 35 | - | - | 51.3 | 60 |
| | PHK07BP-1 | 240 | 7.5 | 46.6 | 50 | - | - | 67.8 | 70 |
| | | 208 | 5.6 | 41.4 | 45 | - | - | 62.6 | 70 |
| | PHK10BP-1 | 240 | 10 | 59.6 | 60 | - | - | 80.8 | 90 |
| | | 208 | 7.5 | 52.6 | 55 | - | - | 73.9 | 80 |
| | PHK15CP-1 | 240 | 15 | 59.6 | 60 | 26 | 30 | 106.9 | 110 |
| | | 208 | 11.3 | 52.6 | 55 | 22.6 | 25 | 96.4 | 100 |
| PHK20CP-1 | 240 | 20 | 59.6 | 55 | 52.1 | 60 | 132.9 | 150 | |
| | 208 | 15 | 52.6 | 60 | 45.1 | 50 | 119 | 125 | |

HEAT STRIP ELECTRICAL, CONTINUED

| Model Number | Heater Model | Unit Supply Voltage Single Phase | Heater kW | Min. Circuit Ampacity 1 | Max. Fuse / HACR Brkr. 1 | Min. Circuit Ampacity 2 | Max. Fuse / HACR Brkr. 2 | Min. Circuit Ampacity Single Point | Max. Fuse / HACR Brkr. Single Point |
|--------------|--------------|----------------------------------|-----------|-------------------------|--------------------------|-------------------------|--------------------------|------------------------------------|-------------------------------------|
| TARG60001P | PHK05BP-1 | 240 | 5 | 35.5 | 40 | - | - | 64.9 | 70 |
| | | 208 | 3.8 | 32.1 | 35 | - | - | 61.5 | 65 |
| | PHK07BP-1 | 240 | 7.5 | 48.6 | 50 | - | - | 78.8 | 90 |
| | | 208 | 5.6 | 43.4 | 45 | - | - | 73.6 | 80 |
| | PHK10BP-1 | 240 | 10 | 35.5 | 40 | 26 | 30 | 91.8 | 100 |
| | | 208 | 7.5 | 54.6 | 60 | - | - | 84.8 | 90 |
| | PHK15CP-1 | 240 | 15 | 52.1 | 55 | 35.5 | 40 | 117.8 | 125 |
| | | 208 | 11.3 | 54.6 | 55 | 22.6 | 25 | 107.4 | 110 |
| | PHK20CP-1 | 240 | 20 | 61.6 | 60 | 52.1 | 60 | 143.9 | 150 |
| | | 208 | 15 | 54.6 | 60 | 45.1 | 50 | 130 | 150 |

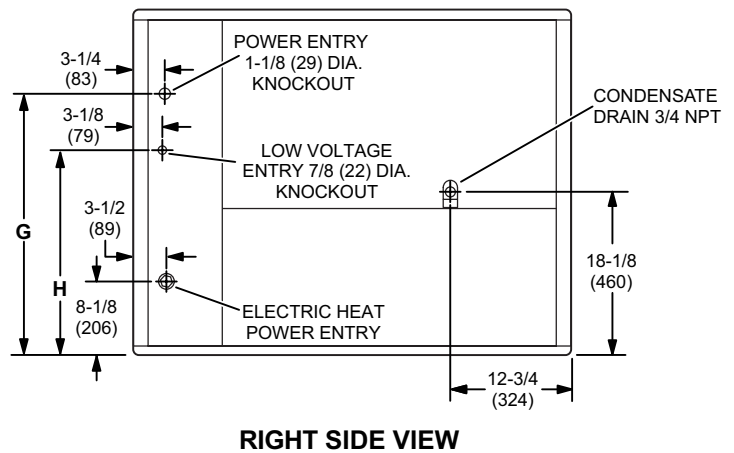
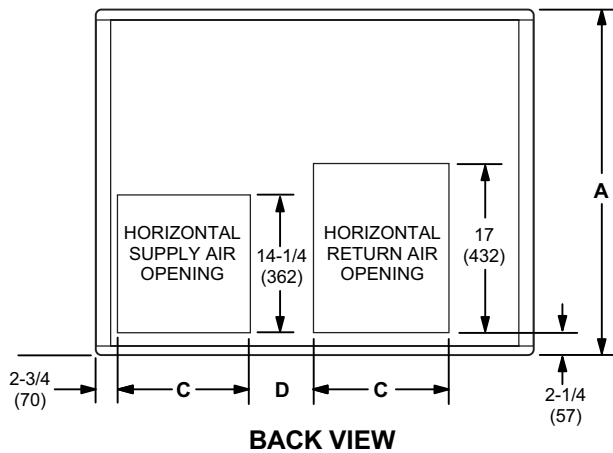
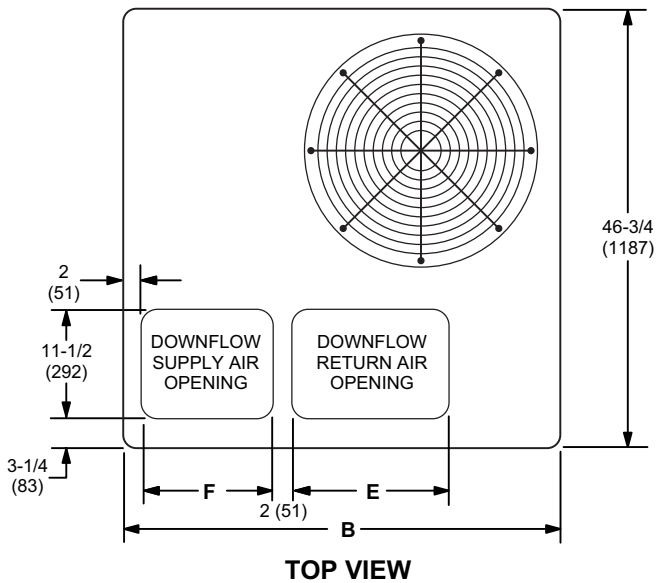
ACCESSORIES

| Description | Where Used | Kit Number |
|---|--------------------|------------|
| Compressor Crankcase Heater | 36, 42, 48, 60 | 11X27 |
| Compressor Hard Start Kit | 36, 60 | 10J42 |
| Compressor Hard Start Kit | 42, 48 | 88M91 |
| Compressor Timed-Off Control | All | 47J27 |
| Down Flow Conversion - ACONVR836 | 24, 30, 36 | 1.851401 |
| Down Flow Conversion - ACONVR837 | 42, 48, 60 | 1.851402 |
| Drain pan overflow switch | All | 11U75 |
| Electric Heater 5KW - PHK05BP | All | 10W47 |
| Electric Heater 7.5KW - PHK07BP | All | 10W48 |
| Electric Heater 10KW - PHK10BP | All | 10W49 |
| Electric Heater 15KW - PHK15CP | 30, 36, 42, 48, 60 | 10W50 |
| Electric Heater 20KW - PHK20CP | 42, 48, 60 | 10W51 |
| Filter Rack Kit | 24, 30, 36 | 11U73 |
| Filter Rack Kit | 42, 48, 60 | 11U74 |
| Lifting Brackets | All | 11U76 |
| Sideflow Rect. to 14" Rounds Duct Adapter (Qty 25 sets) | 24, 30, 36 | R104617-01 |
| | 42, 48, 60 | R104618-01 |
| 8" Height Full Perimeter Curb | 24, 30, 36 | 14W71 |
| 8" Height Full Perimeter Curb | 42, 48, 60 | 14W72 |
| 14" Height Full Perimeter Curb | 24, 30, 36 | 14V68 |
| 14" Height Full Perimeter Curb | 42, 48, 60 | 14V69 |

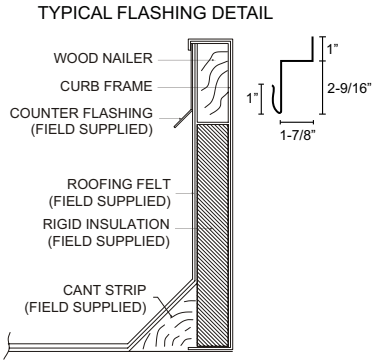
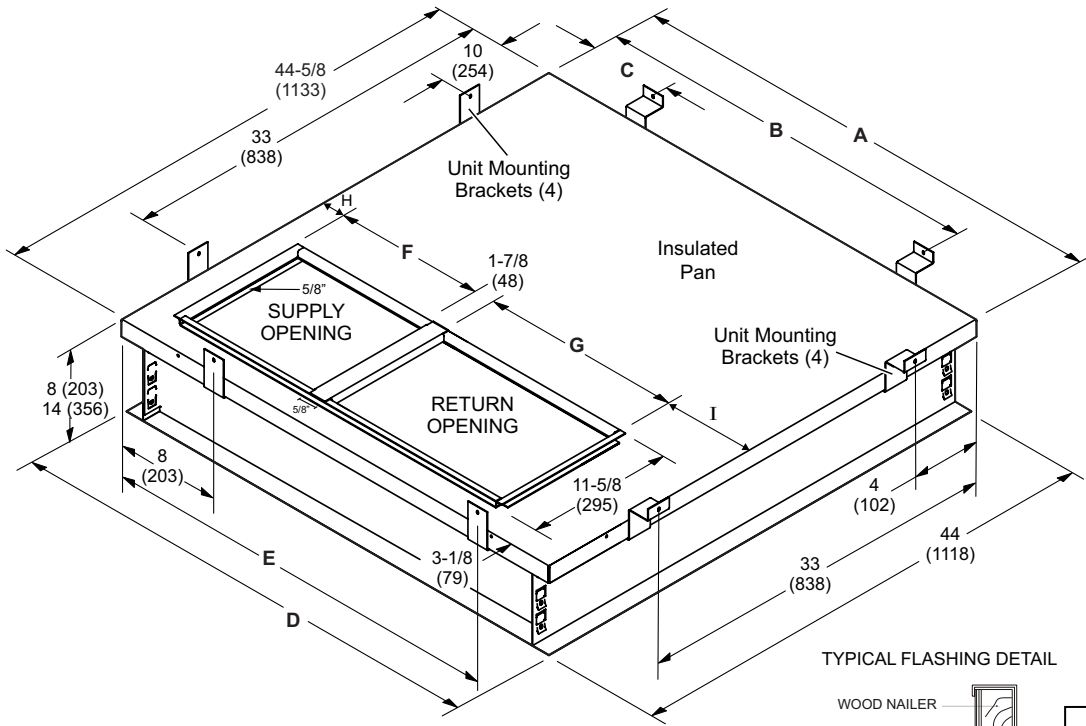
| Single Point Power | | |
|---------------------|----------------|-------|
| 5 KW ASPWR813-1 | All | 13W88 |
| 7.5 KW ASPWR814-1 | All | 13W89 |
| 10 KW ASPWR815-1 | All | 13W90 |
| 15-20 KW ASPWR816-1 | 30,36,42,48,60 | 13W91 |

DIMENSIONS (IN.)

| Model | A | | B | | C | | D | | E | | F | | G | | H | |
|------------|--------|------|--------|------|--------|-----|-------|-----|--------|-----|--------|-----|--------|-----|--------|-----|
| | in. | mm | in. | mm | in. | mm | in. | mm | in. | mm | in. | mm | in. | mm | in. | mm |
| TARG24001P | 36-7/8 | 937 | 46-3/4 | 1187 | 13-3/8 | 340 | 5-7/8 | 149 | 16-3/4 | 425 | 14 | 356 | 30-1/8 | 762 | 25-1/2 | 648 |
| TARG30001P | | | | | | | | | | | | | | | | |
| TARG36001P | | | | | | | | | | | | | | | | |
| TARG42001P | 40-7/8 | 1038 | 55-1/4 | 1403 | 18-1/8 | 467 | 4-5/8 | 117 | 19-3/4 | 502 | 19-1/2 | 495 | 34-1/8 | 864 | 29-1/2 | 749 |
| TARG48001P | | | | | | | | | | | | | | | | |
| TARG60001P | | | | | | | | | | | | | | | | |



ROOF CURB DIMENSIONS



| Usage | A | | B | | C | | D | | E | |
|--------|--------|------|--------|------|-----|-----|--------|------|-----|------|
| | in. | mm | in. | mm | in. | mm | in. | mm | in. | mm |
| 24, 36 | 44-5/8 | 1133 | 43 | 1092 | 18 | 457 | 44 | 1118 | 37 | 940 |
| 48, 60 | 53-1/8 | 1349 | 51 | 1295 | 24 | 610 | 52-1/2 | 1334 | 41 | 1041 |
| Usage | F | | G | | H | | I | | | |
| | in. | mm | in. | mm | in. | mm | in. | mm | | |
| 24, 36 | 14 | 356 | 16-3/4 | 425 | 2 | 51 | 9-3/4 | 248 | | |
| 48, 60 | 19-1/2 | 495 | 19-3/4 | 502 | 2 | 51 | 10 | 254 | | |

TARG-P

Comfort-Aire[®]

"This product complies with all California product labeling laws including, but not limited to, the Safe Drinking Water and Toxic Enforcement Act of 1986, more commonly known as Proposition 65."

Due to ongoing product improvements, specifications and dimensions are subject to change and correction without notice or incurring obligations. Determining the application and suitability for use of any product is the responsibility of the installer. Additionally, the installer is responsible for verifying dimensional data on the actual product prior to beginning any installation preparations. Third party incentive and rebate programs have precise requirements as to product performance and certification. All products meet applicable regulations in effect on date of manufacture; however, certifications are not necessarily granted for the life of a product. Therefore, it is the responsibility of the applicant to determine whether a specific model qualifies for these incentive/rebate programs.